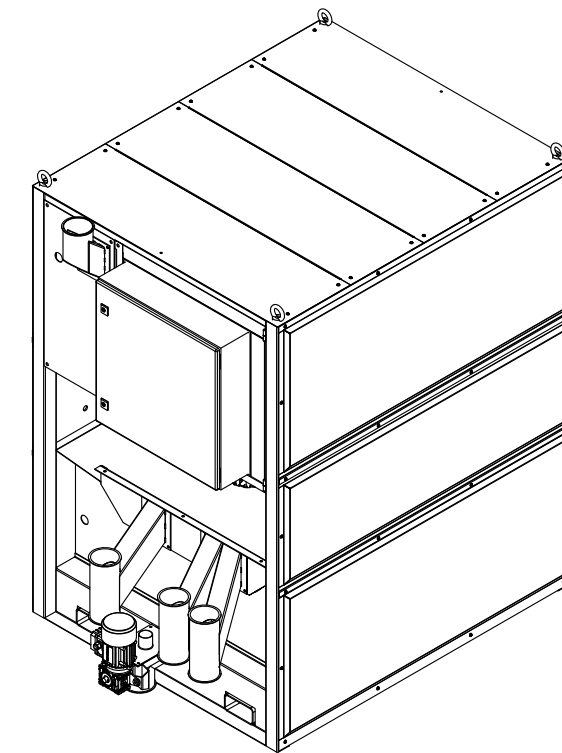
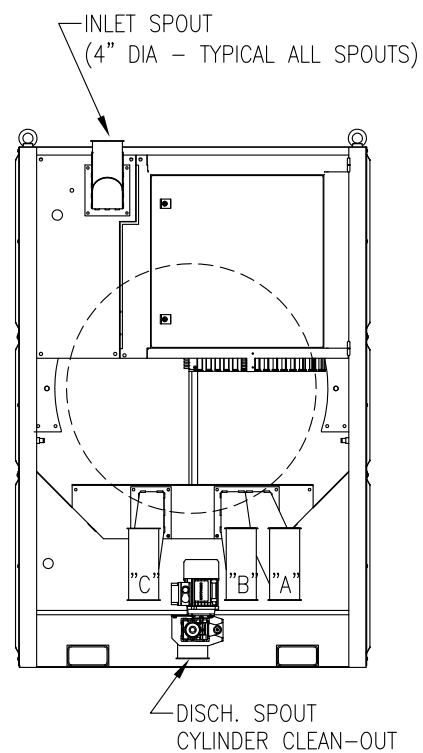


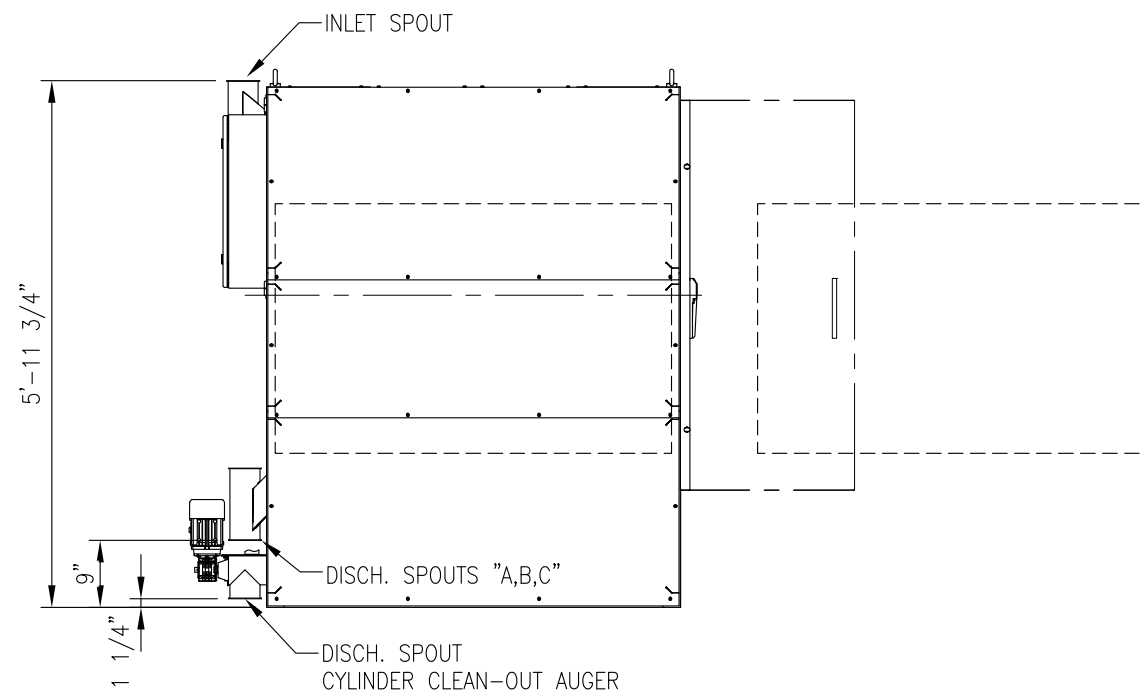
PLAN VIEW



BOMILL - MODEL TRI-Q



FRONT VIEW



SIDE VIEW

BOMILL TRI-Q SPECIFICATIONS	METRIC/EUROPEAN	ENGLISH
DIMENSIONS (height x width x depth)	1800mm x 1200mm x 1750mm	71" x 47" x 69"
WEIGHT (approx.)	1000 kg	2205 lb
ELECTRICAL POWER SUPPLY	3/PEN AC 50 Hz 400V	480 VAC / 3ph / 60Hz
POWER CONSUMPTION	2.5 kW	2.5 kW
ENERGY CONSUMPTION (approx.)	4 kWh/mt	0.11 kWh/bu
HIGH-PRESSURE AIR QUALITY BASED ON THE STANDARD	ISO 8573-1	
COMPRESSED AIR - OPERATING PRESSURE	6 bar	90 psi
COMPRESSED AIR - CONSUMPTION	2000 l/min	70 CFM
COMPRESSED AIR - CONNECTION	1" FEMALE THREAD	
NUMBER OF SORTING CHANNELS	96	
SORTING CAPACITY (approx. based on wheat)	3 mt/hr	110 bu/hr
NUMBER OF SORTED QUALITY FRACTIONS	3	
GRAIN / RAW MATERIAL TO BE PROCESSED	DURUM WHEAT / SOFT WHEAT / BARLEY	

REV. NO.	REV. DATE	REVISION DESCRIPTION	BY	CHECKED BY / APPROVED BY
-	-	-	-	-
-	-	-	-	-
-	-	-	-	-
-	-	-	-	-

CONFIDENTIAL
 THIS DRAWING IS THE PROPERTY OF THE BRATNEY COMPANIES, AND TRANSMITTED IN CONFIDENCE. THE REPRODUCTION, USE, OR DISCLOSURE IN WHOLE OR IN PART, OF THE DESIGN OR DETAILS CONTAINED HEREIN IS PROHIBITED WITHOUT THE WRITTEN PERMISSION OF THE BRATNEY COMPANIES.



BRATNEY COMPANIES
 3400 109th STREET - DES MOINES, IA 50322 - (515) 270-2417
 3876 N. HARBOR LN. - SUITE 100 - BOISE, ID 83702 - (208) 363-9499
 WWW.BRATNEY.COM - DESIGNERS & BUILDERS FOR SEED, FEED, GRAIN & FOOD PROCESSORS

DRAWN BY	CHECKED BY
-	-
APPROVED BY	ISSUE DATE
-	10-16-2014
SCALE	
3/4"=1'-0"	

BOMILL - MODEL TRI-Q
 -
 DETAILS FOR INSTALLATION
 -

PROJECT NUMBER
-
DRAWING NUMBER
DT-001